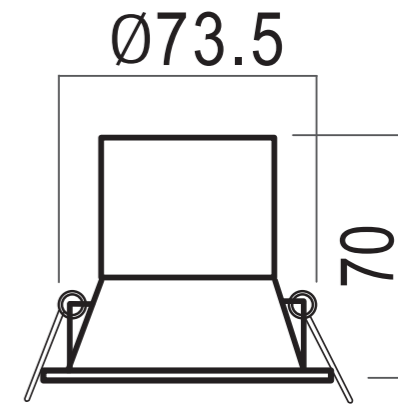
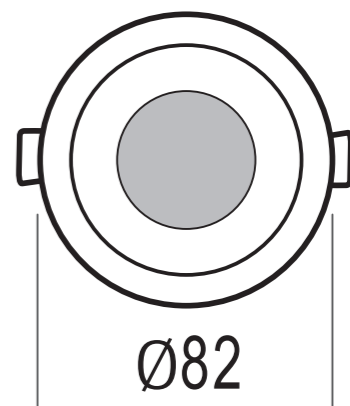
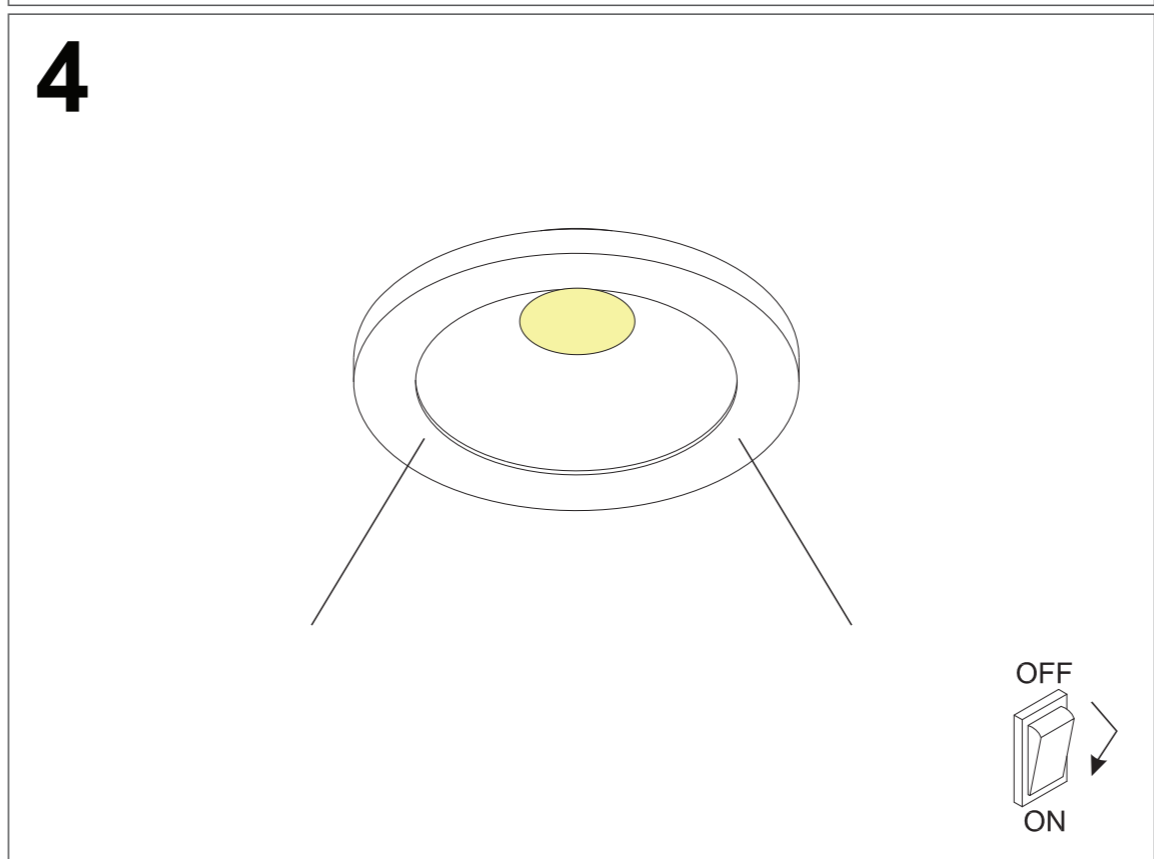
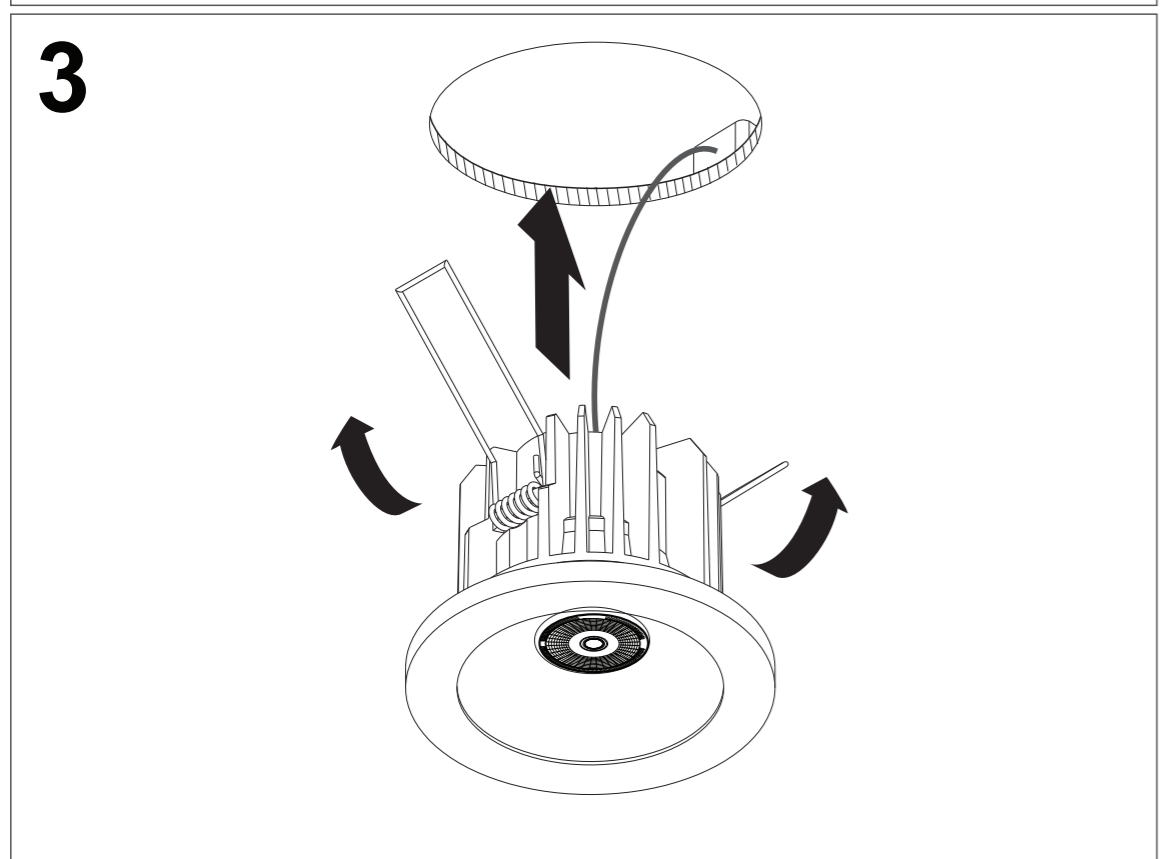
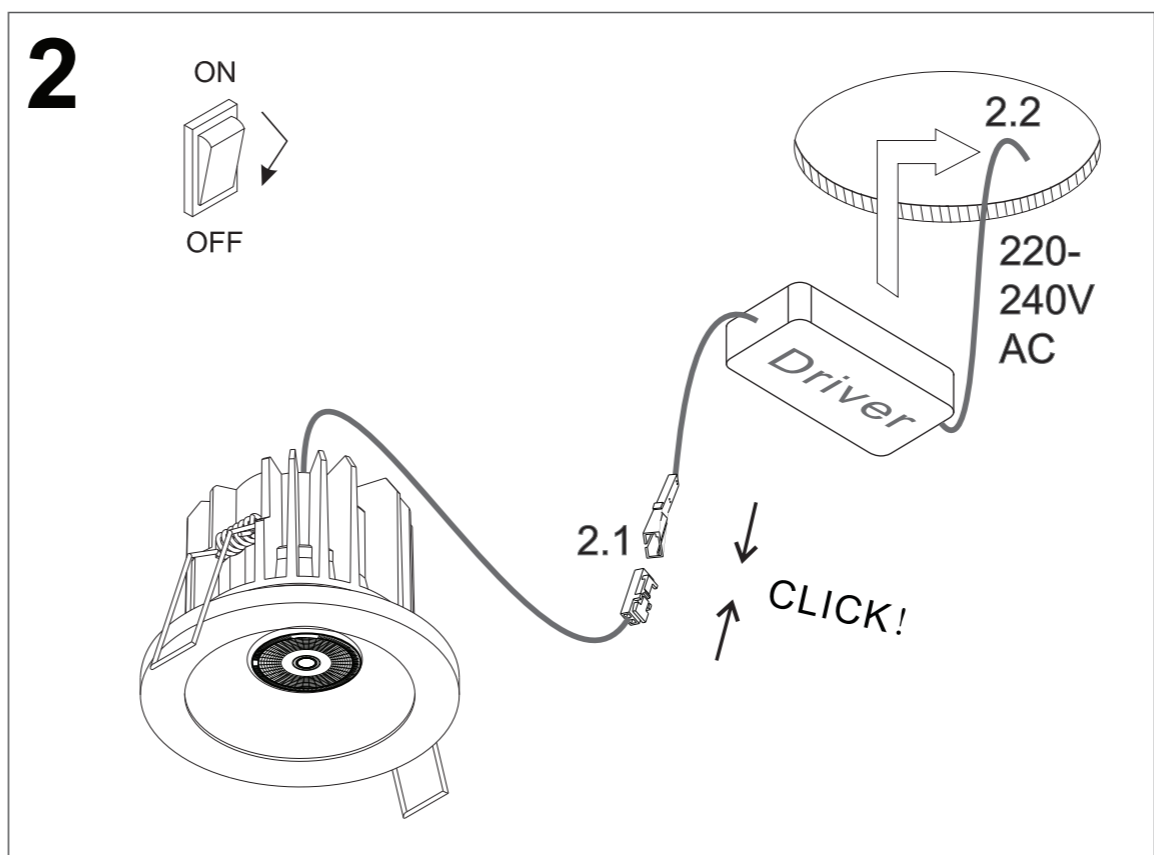
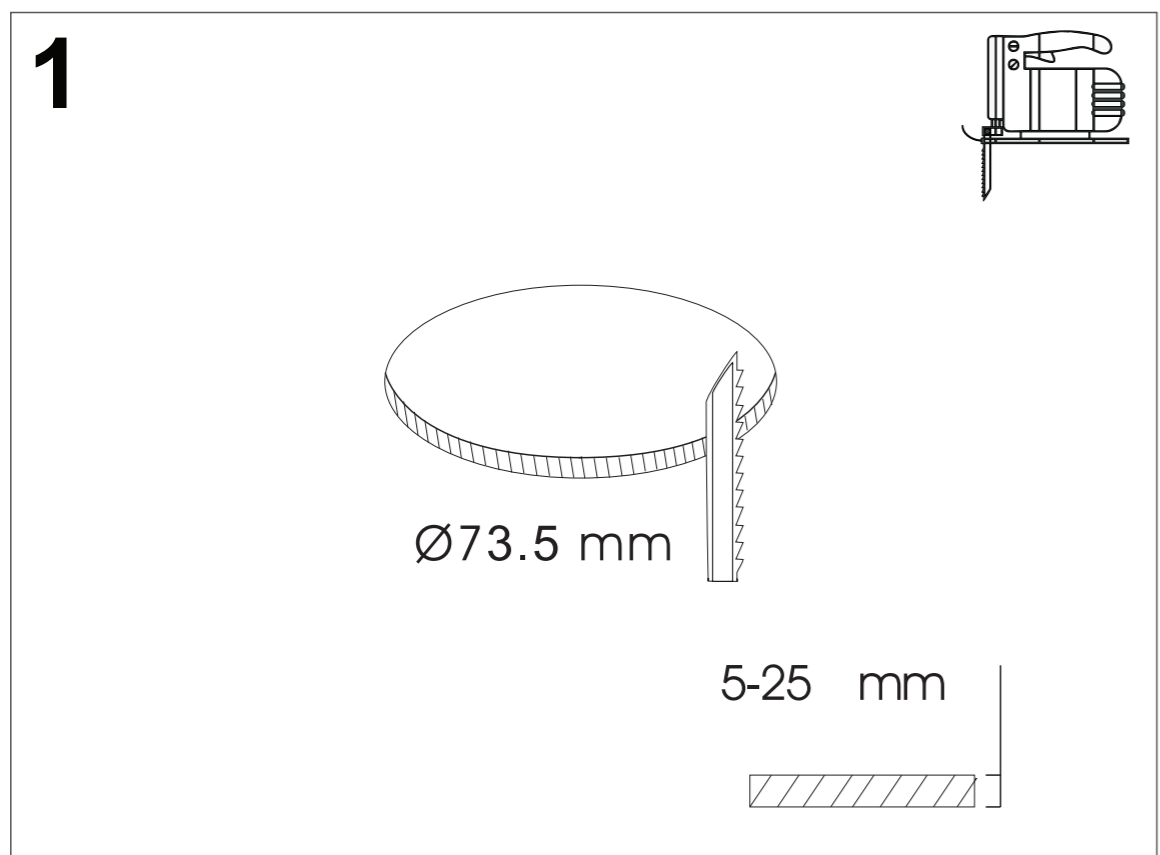


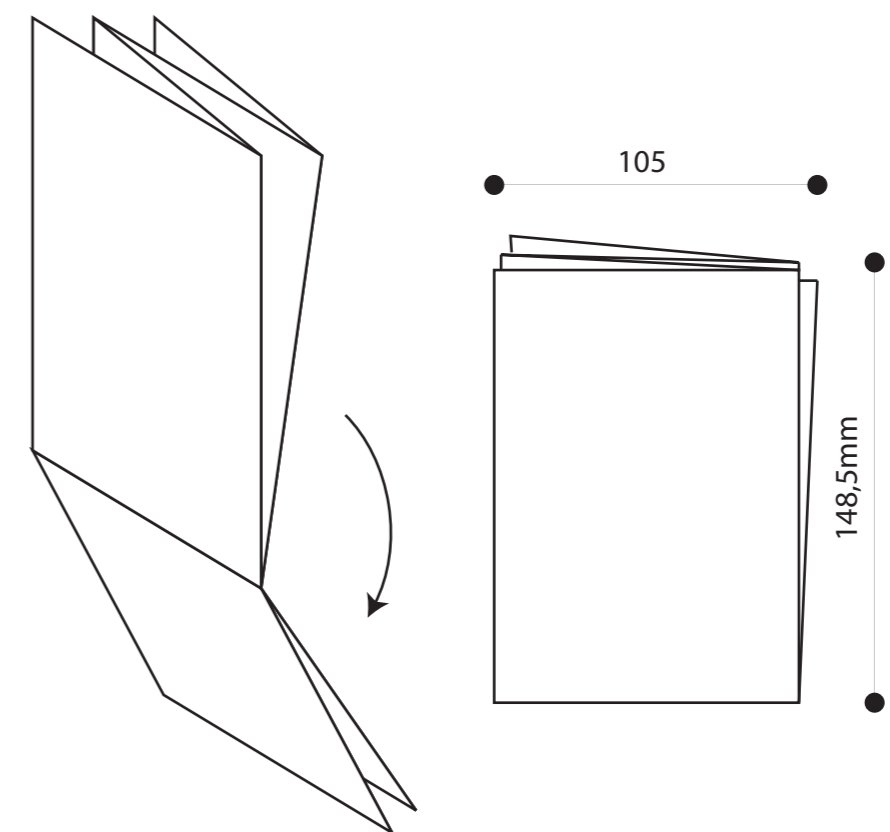
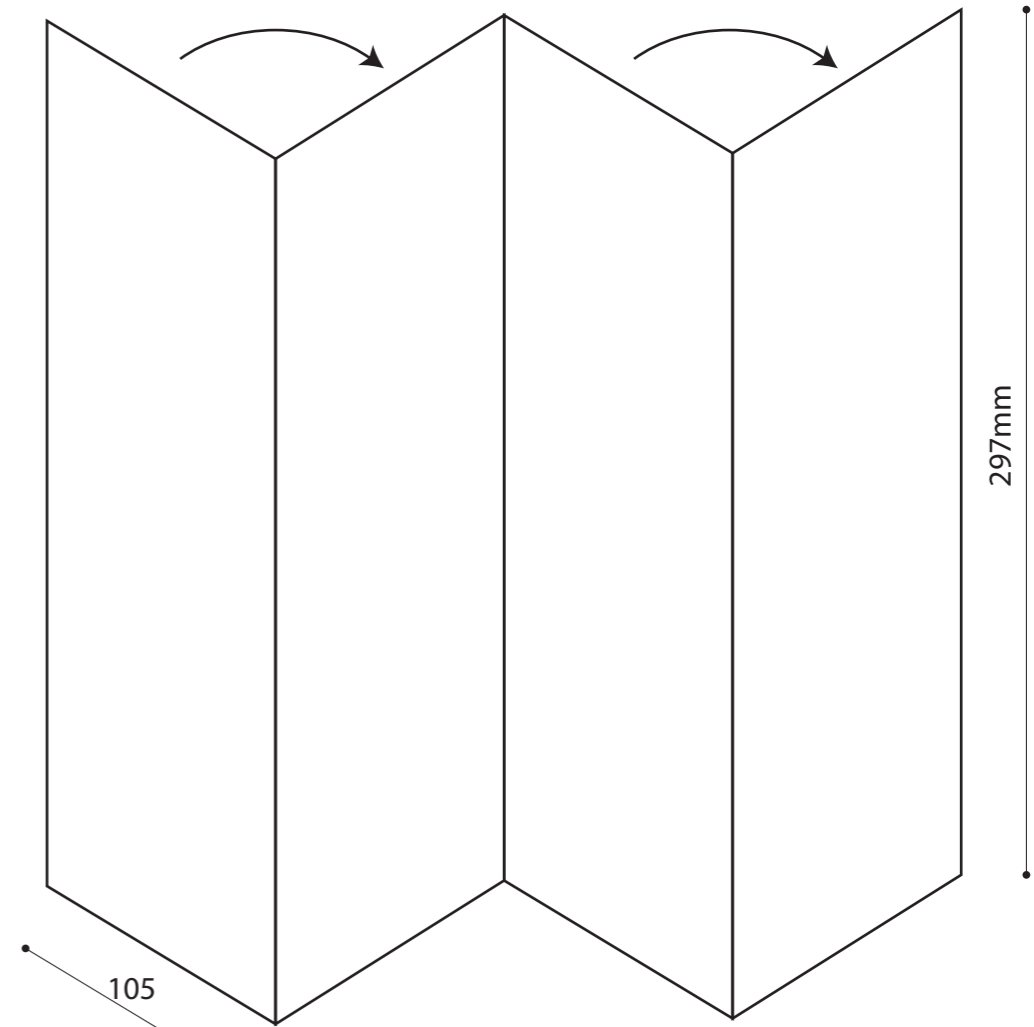
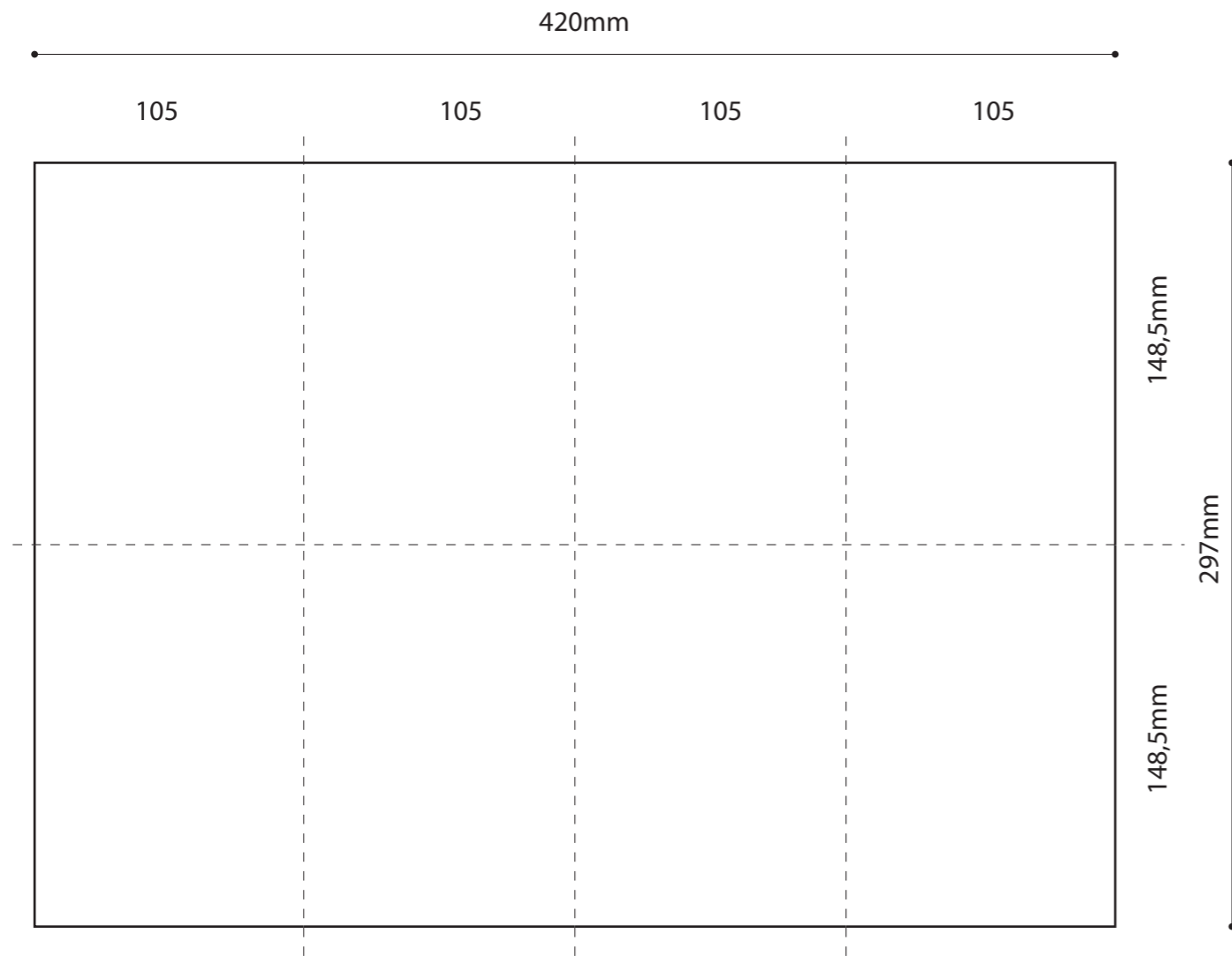
TECHNICAL FEATURES

| Code | Type of LED | Power P(W) | Input voltage (V) | Color temperature of LED (K) | Working temperature (°C) | Dimensions ØxH (mm) | Weight (kg) | Energy class |
|----------------------|-------------|------------|-------------------|------------------------------|--------------------------|---------------------|-------------|--------------|
| XS01WW/NW TD MWH/MBK | COB | 1x12W | 220-240V AC | 3000K / 4000K | -20 ÷ +50 °C | 82x70 mm | 0,18 | E/D |



OPEN SIZE 420x297mm

CLOSED SIZE 105x148,5mm



PRINT: 1 color (black) front and back side